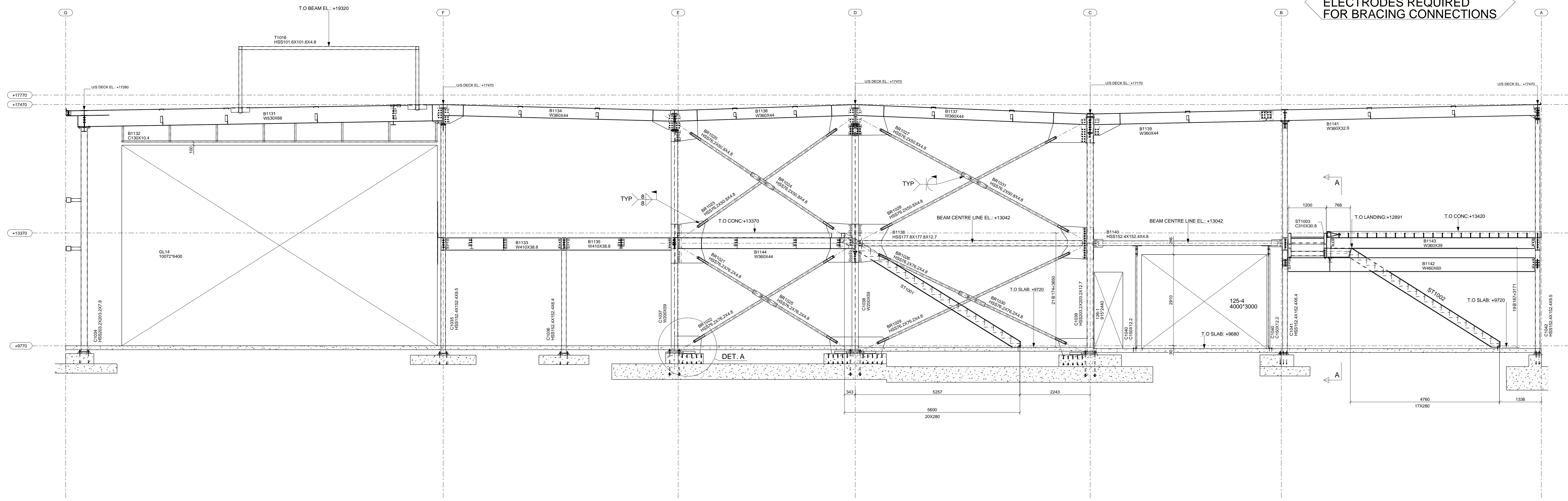
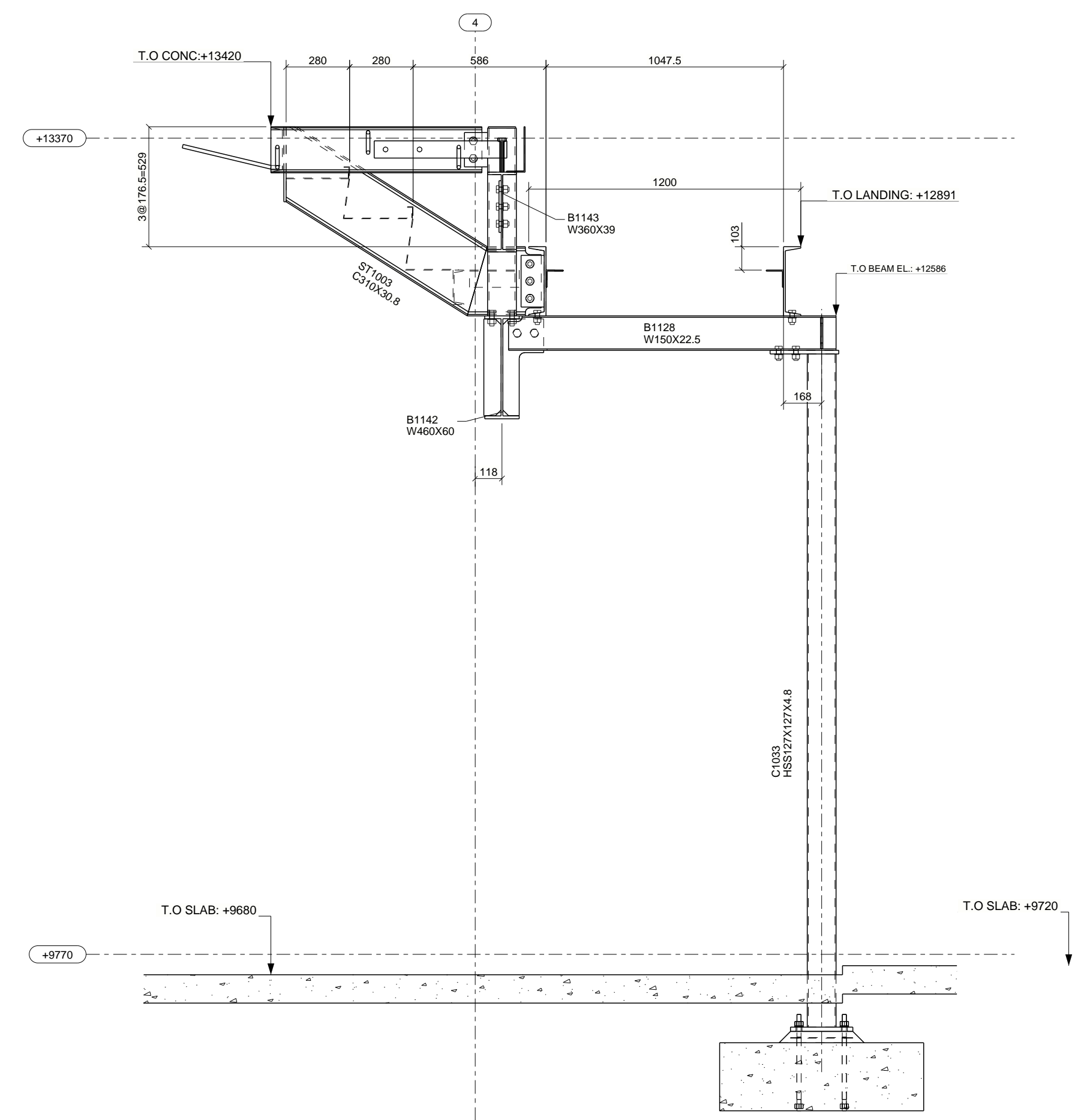


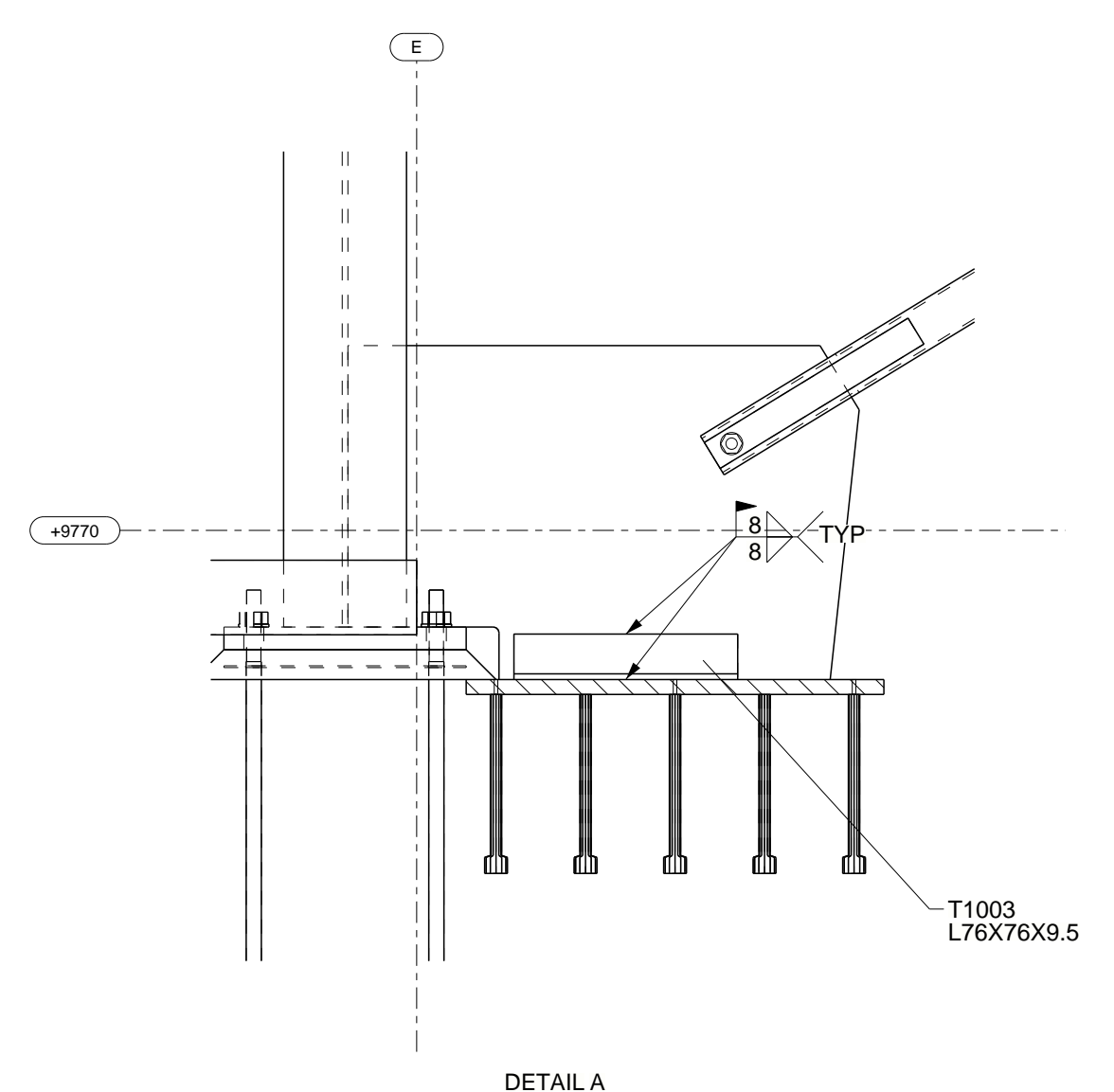
DUCTILE WELDING  
ELECTRODES REQUIRED  
FOR BRACING CONNECTIONS



GRID 4



A - A



DETAIL A

A	ISSUED FOR APPROVAL	05/04/2020
REV	DESCRIPTION	DATE
<b>West Coast Steel Ltd.</b>		
2990 Christmas Way, Coquitlam, BC, Tel: 604 554 0171		
DESCRIPTION	GRID LINE 4	
PROJECT NAME	CHILLIWACK VOLKSWAGEN DEALERSHIP	
DRAWN BY	WIM Inc. Steel Detailing	JOB No.
DATE DRAWN	03.05.2020	WCS-231
		DRG No.
		E121